



Use and Care Guide

IMPORTANT SAFETY INSTRUCTIONS

When using electrical appliances, especially when children are present, basic safety precautions should always be followed, including the following:

**READ ALL INSTRUCTIONS BEFORE USING.
KEEP AWAY FROM WATER.**

DANGER

As with most electrical appliances, electrical parts are electrically live even when switch is off. To reduce the risk of death by electric shock:

- Always unplug this appliance from the electrical outlet immediately after using.
- Do not use while bathing or in the shower.
- Do not place or store this appliance where it can fall or be pulled into a tub or sink.
- Do not place or drop into water or other liquid.
- Do not reach for an appliance that has fallen into water. Unplug it immediately.
- Unplug this appliance before cleaning it.

WARNING

To reduce the risk of burns, fire, electric shock or injury to persons:

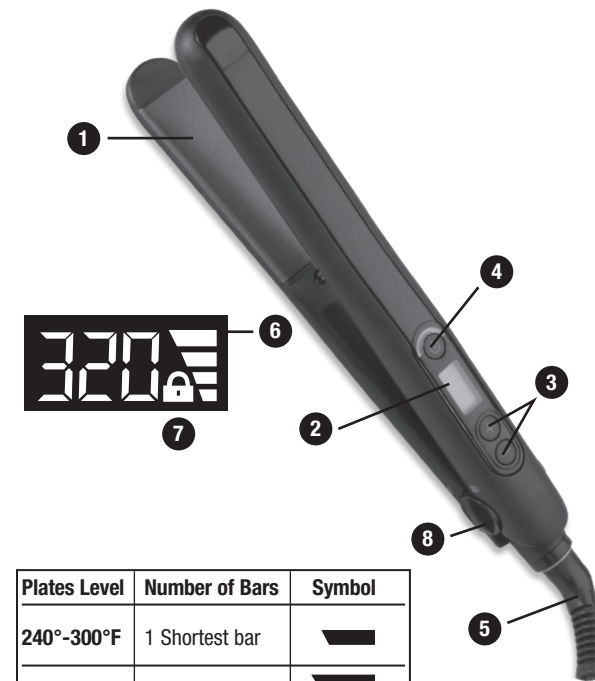
- An appliance should never be left unattended when it is plugged in.
- Close supervision is necessary when this appliance is used by, on, or near children or individuals with certain disabilities or special needs.
- Use this appliance only for its intended use as described in this manual.
- Never operate this appliance if it has a damaged cord or plug, if it is not working properly, if it has been dropped or damaged, or if it has been dropped into water.
- Keep the cord away from the heated surfaces. **Do not wrap the cord around the appliance.**
- Never use while sleeping.

- Never drop or insert any object into any of the appliance's openings.
- Never block the air openings of the appliance or place it on a soft surface, such as a bed or couch, where the air openings may be blocked. Keep the air openings free of lint, hair and the like.
- Do not use outdoors or operate where aerosol (spray) products are being used, or where oxygen is being administered.
- Do not use an extension cord.
- This appliance is hot when in use. Do not let eyes or bare skin touch heated surfaces.
- Do not place the heated unit directly on any surface while it is hot or plugged in.
- The plug on this appliance has one blade wider than the other, it is a polarized plug. As a safety feature, this plug will fit in a polarized outlet only one way. If the plug does not fit fully in the outlet, reverse the plug. If it still does not fit contact a qualified electrician. Do not attempt to defeat this safety feature.
- Always store this appliance and cord in a moisture-free area. Do not store it in temperatures exceeding 140°F (60°C).
- This appliance is for household use only.
- Do not plug or unplug this appliance when your hands are wet.



**KEEP AWAY FROM CHILDREN
SAVE THESE INSTRUCTIONS**

PRODUCT FEATURES



| Plates Level | Number of Bars | Symbol |
|--------------|-----------------|--------|
| 240°-300°F | 1 Shortest bar | |
| 320°-360°F | 2 Shortest bars | |
| 370°-430°F | All three bars | |

Digital Flat Iron Features

- | | |
|---------------------------------------|--------------------------|
| 1. Tourmaline-Titanium-Ceramic plates | 5. Swivel cord |
| 2. Graphic temperature display | 6. Bars for heat setting |
| 3. +/- Temperature controls | 7. Lock symbol |
| 4. ON/OFF button | 8. Hinge lock |

Key Features:

Automatic Shutoff: This styler is equipped with automatic shutoff. This safety feature turns the unit off after 60 minutes, in case you accidentally leave it on after styling your hair.

Closing Lock: This professional flat iron has a closing lock to make the unit easier to store. To lock the iron, simply squeeze the plates together and flip the hinge lock down to the locked position. To unlock, flip the hinge lock up in to the unlocked position.

NOTE: Do not heat the unit in the locked position.

Digital Precise Heat

Swivel Cord

HOW TO USE

Heat Settings

Take extra care when using a professional styler. To prevent hair damage, make sure to use the correct temperature setting for your hair type.

| Setting | Hair Type |
|------------|-------------------------------------|
| 300°-340°F | Very fine, fragile, damaged hair |
| 360°-390°F | Normal, easy to straighten hair |
| 410°-430°F | Thick, difficult to straighten hair |

+/-

■ During heat-up time, the LCD blue backlight & temperature setting display turns on. The blue backlight and four bars will pulse until the temperature is stable. The backlight will stay lit and all four bars will show when the unit is ready.

■ **Turbo Boost:** (hold time about 2 seconds)
– Activating: Press “+” Button and hold about 2 seconds to increase temperature to maximum 430°F setting instantly no matter what setting it is.
– Releasing: Press “-” Button to decrease the temperature like normal mode.

■ **Lock Mode:**
– Activating: Press and hold “+” button for about 3 seconds. All the keys will be locked and the LCD will display the lock symbol.
– Releasing: Press and hold “-” button for about 3 seconds. All the keys will be unlocked and the lock symbol will disappear.

Styling Your Hair

1. Hair should be dry and free of tangles before using the styling iron.
2. Plug the styler into an electrical outlet. Press and hold the ON/ OFF button until the unit turns on.
3. Adjust the temperature using the +/- buttons.
4. Divide hair into manageable sections and clip the upper layers on top of your head and out of the way. Work with underneath layers first.
5. Test the styler on a small section of hair, then adjust the temperature up or down before styling the rest of your hair.

NOTE: If you find that you need a higher setting while straightening your hair, simply adjust the temperature by pressing the “+” button for two seconds. While straightening your hair. If you find that you need a lower setting, adjust the temperature by pressing the “-” button. Because the unit is already hot, it may take a few minutes to cool off.

6. Take a small section of hair and pull hair down and away from your scalp, and hold it taut.
7. Starting at the roots, clamp hair firmly between the plates and run the styler down the entire hair strand, from root to tip, in one smooth stroke. Do not hold it in one area for a long period of time or damage to hair may occur.
8. To create curves or flicks, rotate your wrist to turn the iron in toward your head or out away from your head as you run the iron down the hair strand.
9. Repeat with all the sections of your hair, working with the underneath layers first, then the top and sides.
10. When you are finished styling, press and hold the ON/OFF button for a few seconds to turn the unit off, unplug it, and allow it to cool before storing.

NOTE: Make sure the switch lock function is unlocked or the unit will not turn off.

NOTE: DUAL VOLTAGE USE

This appliance contains a special electronic circuit that automatically converts it for worldwide usage—from 120 to 240 volts AC, 50 to 60 Hz. Just plug it into the local outlet and use it as normal; the styler will automatically adjust to the local current. (You may need an adapter to allow the plug to fit into the local outlets, however.)

DUAL VOLTAGE APPLIANCE

Confirm the voltage available at each overseas location before using the appliance. For connection to a 240-volt supply, use an attachment plug adapter of the proper configuration for the power supply receptacle.

MAINTENANCE

Cleaning

Make sure the unit is unplugged and cool. Use a damp cloth to clean the plates and the outside of the power handle. No other maintenance of the unit is required. This appliance has no user serviceable parts.

Storage

Unplug the unit whenever it is not in use. Allow it to cool, then store it out of reach of children in a safe, dry location.

Never wrap the cord around the appliance, since this will cause the cord to wear prematurely and break, thus voiding warranty. Handle the cord carefully and avoid jerking, twisting, or straining it, especially at plug connections. If the supply cord is damaged, it must be replaced by the manufacturer, its service agent or similarly qualified persons in order to avoid a hazard.

WARRANTY

Limited Four-Year Warranty

Spectrum Brands, Inc. warrants this product against any defects that are due to faulty material or workmanship for a four-year period from the original date of consumer purchase.

If the product should become defective within the warranty period, we will replace it free of charge. Return your product and sales receipt with your name, address and day time phone number to: Spectrum Brands, Inc., Attention: Consumer Services, 601 Rayovac Drive, Madison, WI 53711. For more information call 800-736-46488 in the U.S. or 800-268-0425 in Canada.

KEEP ORIGINAL SALES RECEIPT AS PROOF OF PURCHASE FOR WARRANTY PURPOSES.

This warranty does not cover products damaged by the following:

- Accident, misuse, abuse or alteration of the product
- Servicing by unauthorized persons
- Use with unauthorized accessories
- Connecting it to incorrect current and voltage
- Wrapping cord around appliance causing premature wear & breakage
- Any other conditions beyond our control

No responsibility, obligation, or liability is assumed for the installation or maintenance of this product.

SPECTRUM BRANDS, INC. SHALL NOT BE RESPONSIBLE FOR ANY INCIDENTAL, SPECIAL OR CONSEQUENTIAL DAMAGES RESULTING FROM THE USE OF THIS PRODUCT. ALL IMPLIED WARRANTIES, INCLUDING BUT NOT LIMITED TO IMPLIED WARRANTIES OF FITNESS AND MERCHANTABILITY, ARE LIMITED IN DURATION TO FOUR YEARS FROM DATE OF ORIGINAL PURCHASE.

This warranty gives you specific legal rights and you may also have other rights which vary from state to state or province to province. Some states do not allow the exclusion or limitation of incidental, special or consequential damages.

Spectrum Brands, Inc. Money-back Offer

If within 30 days after you have purchased your Remington® branded product, you are not satisfied and would like a refund, return it with the sales slip indicating purchase price and date of purchase to the retailer from whom it was purchased. Spectrum Brands, Inc. will reimburse all retailers who accept the product within 30 days from the date of purchase. If you have any questions concerning the money-back guarantee, please call 800-736-4648 in the U.S. or 800-268-0425 in Canada.

120-240 VAC 50/60Hz

Questions or comments:
Call 800-736-4648 in U.S. Or visit www.stylewithremington.com

®Registered Trademark of Spectrum Brands, Inc., or one of its subsidiaries.

©2009 ROVICAL Inc. 06/09 Job# CS38331

Dist By: Spectrum Brands, Inc., Madison, WI 53711
Dist By: Spectrum Brands Canada, Inc., Mississauga, ON L5L 0A1

MADE IN CHINA
T22-26967

